

GD6 Hooked Budget Latch

Features

- These models have a shaped 'hooked' bolt which engages with a pin to hold two panels together laterally
- Shape of the hook and string spring provide very positive engagement
- Handed for 90° operation, LH / RH as shown, with deadbolt held positively in both 'open' and 'shut' positions by fitted spring

Material

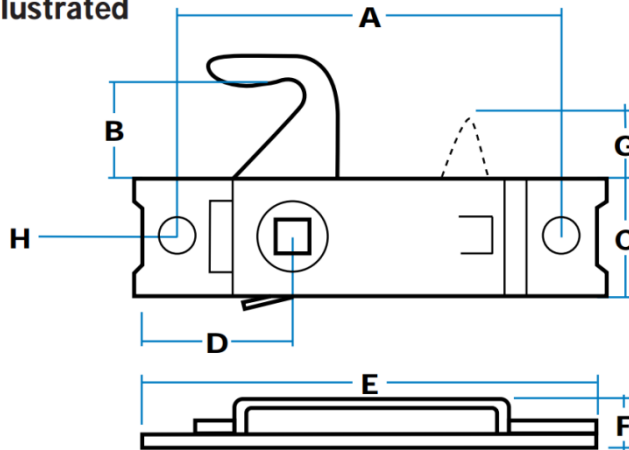
- Steel, zinc plated

Notes

- Tip of bolt will project from case when bolt is withdrawn
- Plant-on fixing through 9 mm holes
- Top and bottom plates are mechanically interleaved for maximum strength



Right-hand illustrated



Part No.	Type	A	B	C	D	E	F	G	H
GD6-G16200	LH	93	24	25	42	112	8	13	9
GD6-G16201	RH								